

Description

The BA386 and BA386S are field mounting, intrinsically safe LED flashing and steady state Beacons.

Model	Model suffix 'X'	Output
BA386X	R Red	2 double flashes per second
	A Amber	
	G Green	
BA386SX	B Blue	Steady state
	W White	

Intrinsic safety

The BA386 and BA386S have IECEx, ATEX, UKEX and FM gas certification.

Code:

II 1 G Ex ia op is IIC T4 Ga $-40^{\circ}\text{C} \leq T_a \leq 60^{\circ}\text{C}$

Parameters

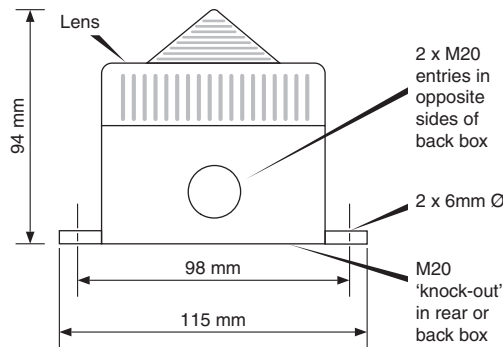
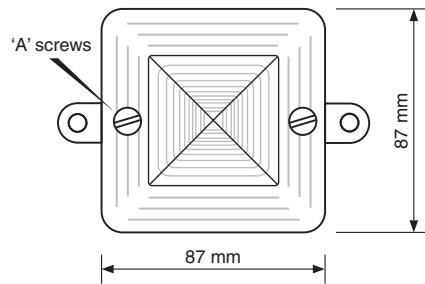
See certificates or full instucation manual

Special conditions for safe use

When the BA386 beacon is installed in Zone 0, the installation shall be such that even in the event of rare incidents, an ignition source due to impact or friction between the aluminium label and iron/steel is excluded.

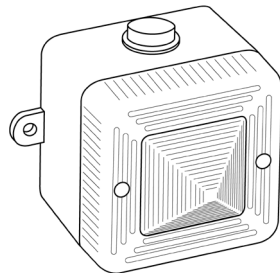
The equipment includes exposed unearthed metal label. Metallic label can present capacitance of up to 6pF with reference to earth. It is the responsibility of the user to determine the suitability of the equipment for its intended application.

Dimensions

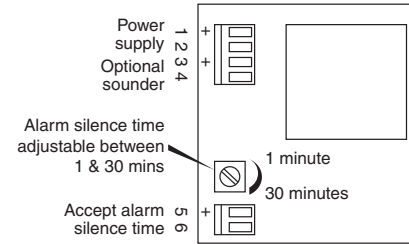


Essential Health and Safety Requirements for BA386 Intrinsically Safe Beacon

UK



Terminals and controls



When the beacon is used alone i.e without a sounder, terminals 5 & 6 should be connected together

Repair

No attempt should be made to repair a faulty BA386 or BA386S beacon. Suspect beacons should be returned to BEKA associates or your local agent.

Disposal

Beacons should be correctly disposed of, not in household rubbish

EU Declaration of Conformity

This declaration of conformity for electrical apparatus is issued under the sole responsibility of the manufacturer.

Description

BA386 is a field mounting, intrinsically safe LED flashing Beacon and the BA386S is an intrinsically safe LED steady state Beacon.


Manufactured by

BEKA associates Ltd, Old Charlton Road, Hitchin, Herts. UK. SG5 2DA

Council Directives this equipment complies with: 2014/34/EU (ATEX Directive)

Relating to equipment and protective systems intended for use in potentially explosive atmospheres.

Provisions of the Directive fulfilled by the equipment:


 ITS02ATEX2006X
 issue 1 Dated 19/12/2017
 Group II Category 1G
 Ex ia op is IIC T4 Ga $-40^{\circ}\text{C} \leq T_a \leq +60^{\circ}\text{C}$

Notified Body for EU-Type Examination and production

INTERTEK ITALIA SPA 2575
 Via Guido Miglioli, 2/A 20063
 Cernusco sul Naviglio (MI) Italy.

Compliant with standards:

EN 60079-0:2012 + A11:2013
 EN 60679-11:2012;
 EN 60079-28:2015
 Compliant with EN IEC 60079-0:2018

2014/30/EU (EMC Directive)

Standards used:
 EN 61326-1:2021

2011/65/EU (RoHS Directive) relating to hazardous substances in electronic and electrical equipment.

2015/863/EU additional substances added by amending Annex II to Directive 2011/65/EU as regards the list of restricted substances.

 mark first affixed in 2011

Authorised Signatory: Issue 15 19th Jan 2023



Olivier Lebreton CEng MIET
Managing Director



Manuals, certificates and datasheets can be downloaded from <https://www.beka.co.uk/ba386>

Issue 1
10th June 2024

BEKA associates Ltd. Old Charlton Rd, Hitchin, Hertfordshire,
 SG5 2DA, UK Tel: +44(0)1462 438301 e-mail: sales@beka.co.uk
 web: www.beka.co.uk