

Description

Field and panel mounting intrinsically safe externally powered tachometers.

Model	Mounting	Digits	Enclosure material	Panel cut-out mm
BA314G	Field mounting	8 x 18mm high & 6 x 12mm high	GRP IP66	N/A
BA317E	Panel mounting	8 x 9mm high & 6 x 6mm high	Noryl IP66 front	90.0+0.5/-0 x 43.5 +0.5/-0
BA317E-SS			316-Stainless Steel IP66 front	
BA318E	Panel mounting	8 x 18mm high & 6 x 12mm high	Noryl IP66 front	136.0+0.5/-0 x 66.2 +0.5/-0

Intrinsic safety

IECEX, ATEX and UKEX gas and dust certification.

Code:

II 1 G	Ex ia IIC T5 Ga	-40°C ≤ Ta ≤ +70°C	BA317E & BA318E
II 1 G	Ex ia IIC T5 Ga	-40°C ≤ Ta ≤ +60°C	BA317E-SS
II 2 D	Ex ia IIIC T80°C Db	-40°C ≤ Ta ≤ +60°C	
II 1 G	Ex ia IIC T5 Ga	-40°C ≤ Ta ≤ +70°C	BA314G
II 2 D	Ex ia IIIC T80°C Db	-40°C ≤ Ta ≤ +60°C	

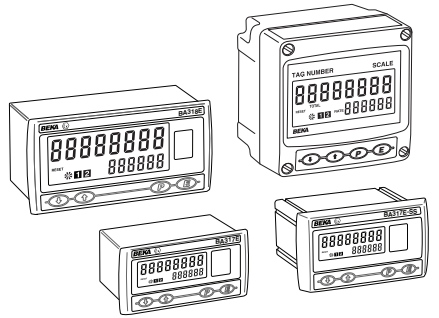
Parameters:
See intrinsic safety certificate or full instruction manual

Special conditions for safe use

All models	When installed in Zone 0, installation shall be such that an ignition due to impact between aluminium label and iron/steel is excluded.
BA317E-SS	For installation in a Ex e, Ex p or Ex t panel enclosure, all connections must be supplied via appropriate rated and approved equipment meeting input / output safety parameters of external connections.
	When used in a Group IIIC conductive dust environments instrument terminals shall have at least IP6X protection in accordance with IEC 60079-0.
BA314G	When installed purely as intrinsic safety equipment the ambient temperature range is -40°C ≤ Ta ≤ +70°C.
	Cable entry devices and stoppers suitable for the intended use, location and protection concept shall be fitted to maintain the ingress protection of the enclosure.

Essential Health & Safety Requirements for externally powered Tachometers BA314G, BA317E, BA317E-SS & BA318E

UK

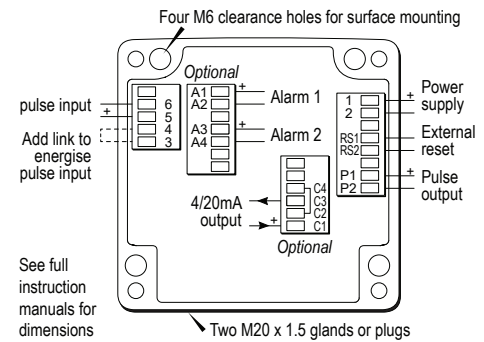


Issue 1
10th June 2024
BEKA associates Ltd. Old Charlton Rd, Hitchin, Hertfordshire, SG5 2DA, UK Tel: +44(0)1462 438301 e-mail: sales@beka.co.uk web: www.beka.co.uk

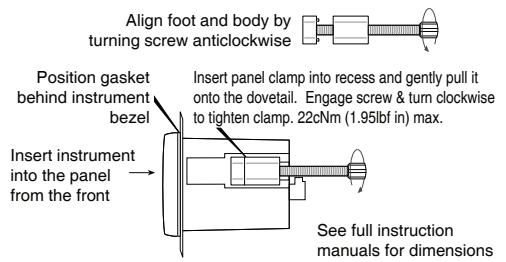
Manuals, certificates and datasheets can be downloaded from <https://www.beka.co.uk/ept>



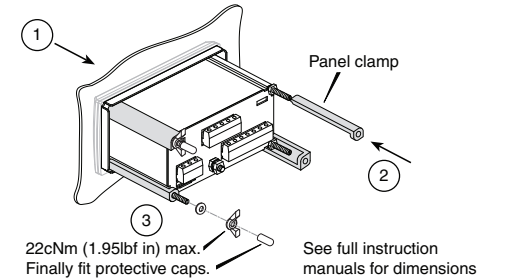
Installation & connections: BA314G



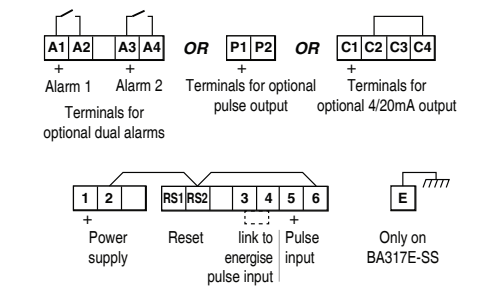
Installation: Panel mounting models BA317E and BA318E



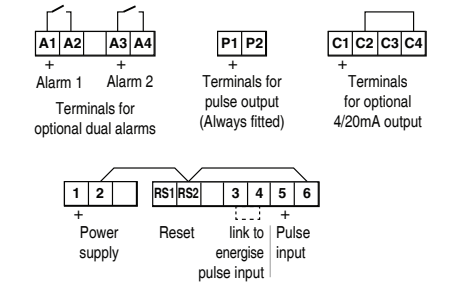
Installation: Panel mounting model BA317E-SS



Connections: Panel mounting models BA317E and BA317E-SS



Connections: Panel mounting model BA318E



Combined EU Declaration of Conformity

This declaration of conformity for electrical apparatus is issued under the sole responsibility of the manufacturer.

Description
BA314G is field mounting and the BA317E, BA317E-SS and BA318E are panel mounting externally powered tachometers. The BA317E-SS has a stainless steel enclosure with an impact resistant IP66 front.

Manufactured by
BEKA associates Ltd, Old Charlton Road, Hitchin, Herts. UK. SG5 2DA

Council Directives this equipment complies with:
2014/34/EU (ATEX Directive)
Relating to equipment and protective systems intended for use in potentially explosive atmospheres.

Provisions of the Directive fulfilled by the equipment:
Ex ITS16ATEX28408X issue 3 dated 25/11/2016
Group II Category 1 G
Ex ia IIC T5 Ga -40°C ≤ Ta ≤ +70°C ⁽¹⁾
Group II Category 2 D
Ex ia IIIC T80°C Db -40°C ≤ Ta ≤ +60°C ⁽²⁾
⁽¹⁾ When a BA317E-SS installation relies on the certified impact and ingress protection provided by the front of the instrument to maintain certification of the panel enclosure in which the instrument is mounted -40°C ≤ Ta ≤ +60°C
⁽²⁾ Not BA317E & BA318E

Notified Body for EU-Type Examination and production
INTERTEK ITALIA SPA 2575
Via Guido Miglioli, 2/A 20063
Cernusco sul Naviglio (MI) Italy.

Compliant with standards:
EN 60079-0:2012 + A11:2013; EN 60079-11:2012
Compliant with EN IEC 60079-0:2018

2014/30/EU (EMC Directive)
2011/65/EU (RoHS Directive) relating to hazardous substances in electronic and electrical equipment.

2015/863/EU additional substances added by amending Annex II to Directive 2011/65/EU as regards the list of restricted substances.

CE mark first affixed in 2016
Authorised Signatory: Olivier Lebreton CEng MIET Managing Director
Issue 1 2nd Feb 2024